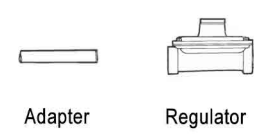
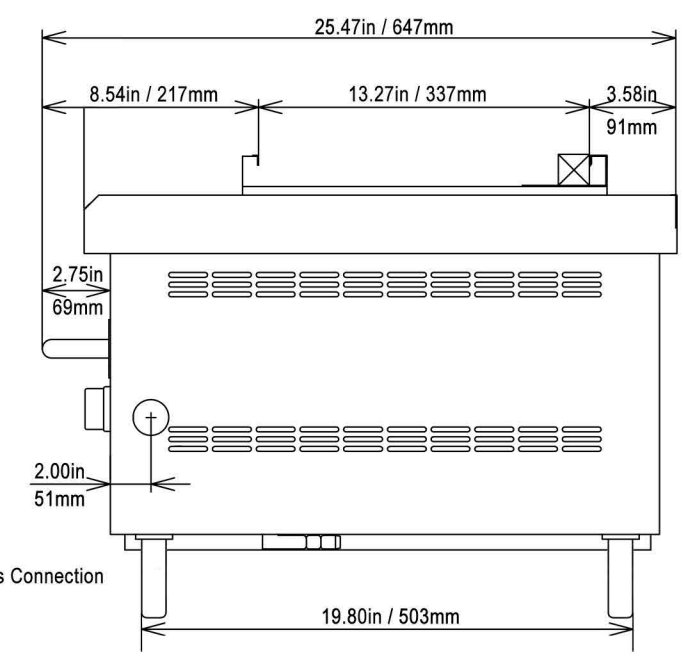
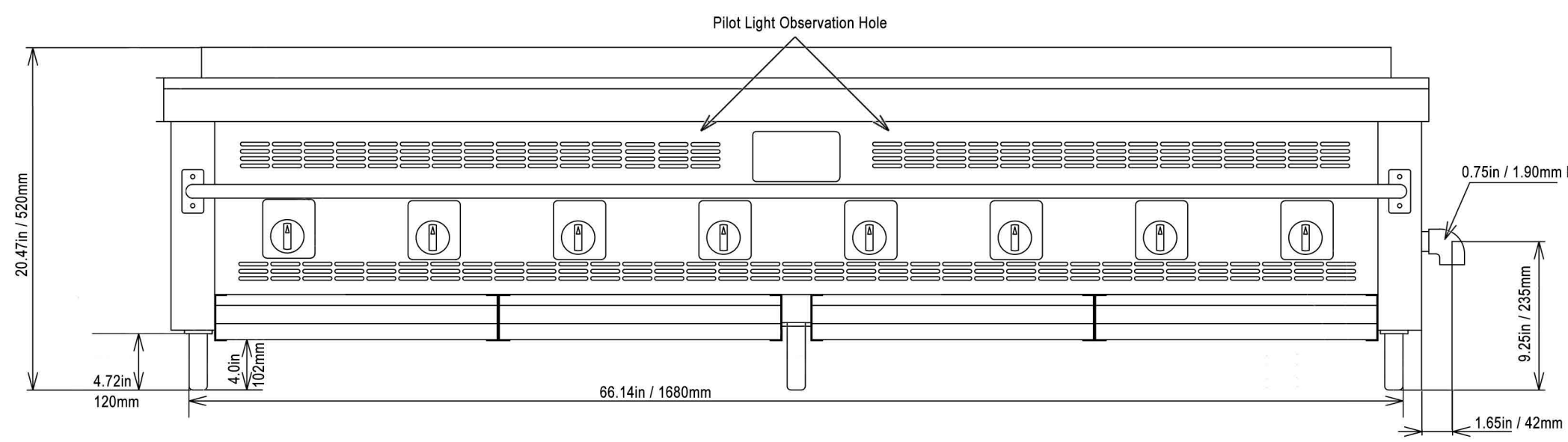


Name of Model	KA-175G		
Dimension	Width	70.47in / 1790mm	
	Length	25.47in / 647mm	
	Height	20.47in / 520mm	
Gas Consumption	Natural Gas	136,000 BTU / 40.0 kW	
	L P G	128,000 BTU / 37.5 kW	
Ignition	Piezo spark ignition		
Gas connection	Natural Gas	3/4" Side Gas Connection	
	L P G	3/4" Side Gas Connection	
Weight	265lbs / 120kg		
Clearance from flammable materials	Around the grill	upper	hood
		side	0.79in / 20mm
		back	0.47in / 15mm
		front	
Structure of a Floor		Structure of non-combustible	



PURERANGE

Name of Product :
Kosei Charcoal Griller

Model
KA-175G type

KOSEI 倅生工業株式会社