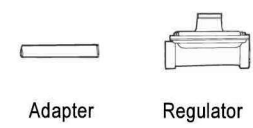
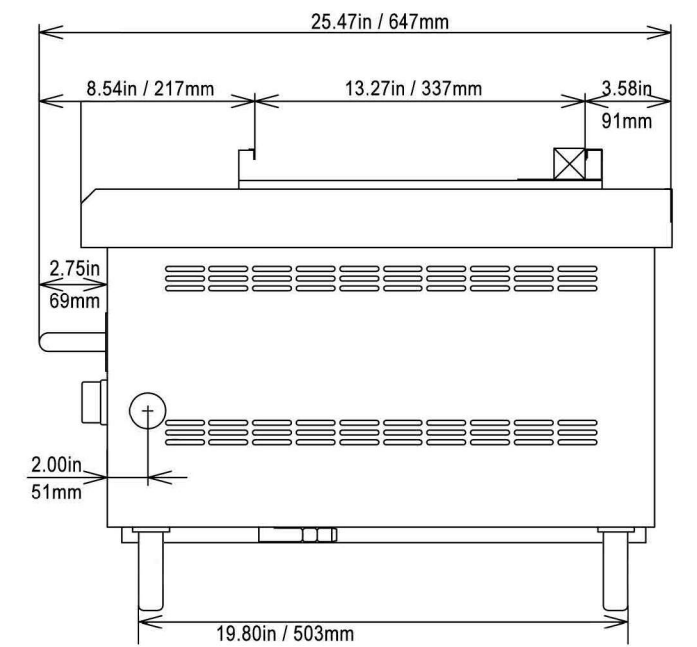
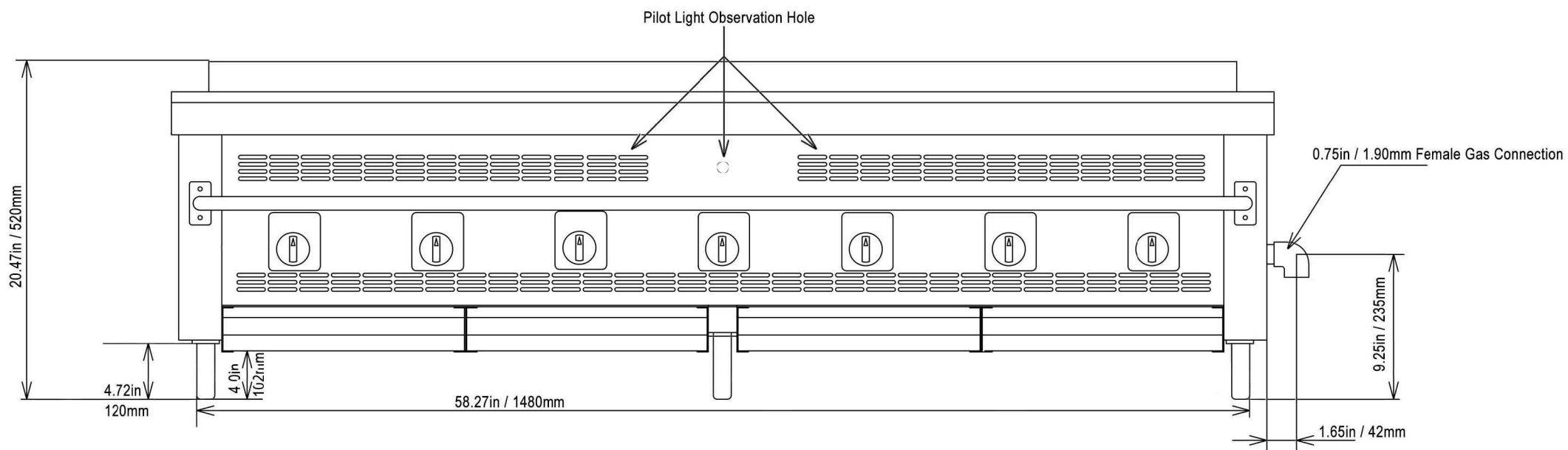


Name of Model	KA-155G		
Dimension	Width	62.60in / 1590mm	
	Length	25.47in / 647mm	
	Height	20.47in / 520mm	
Gas Consumption	Naturalgas	119,000 BTU / 35.0 kW	
	L P G	112,000 BTU / 32.8 kW	
Ignition	Piezo spark ignition		
Gas connection	Naturalgas	3/4" Side Gas Connection	
	L P G	3/4" Side Gas Connection	
Weight	231lbs / 105kg		
Clearance from flammable materials	Around the grill	upper	hood
		side	0.79in / 20mm
		back	0.47in / 15mm
		front	
Structure of a Floor		Structure of non-combustible	



Name of Product : Kosei Charcoal Griller
 Model KA-155Gtype

