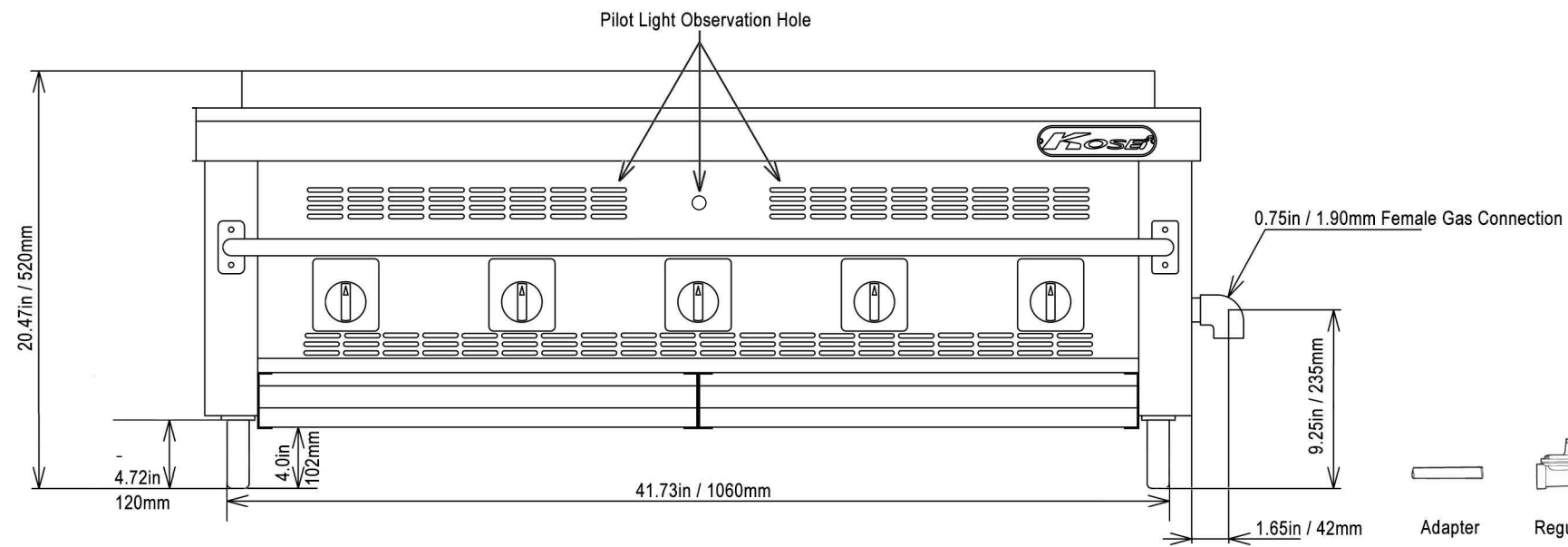
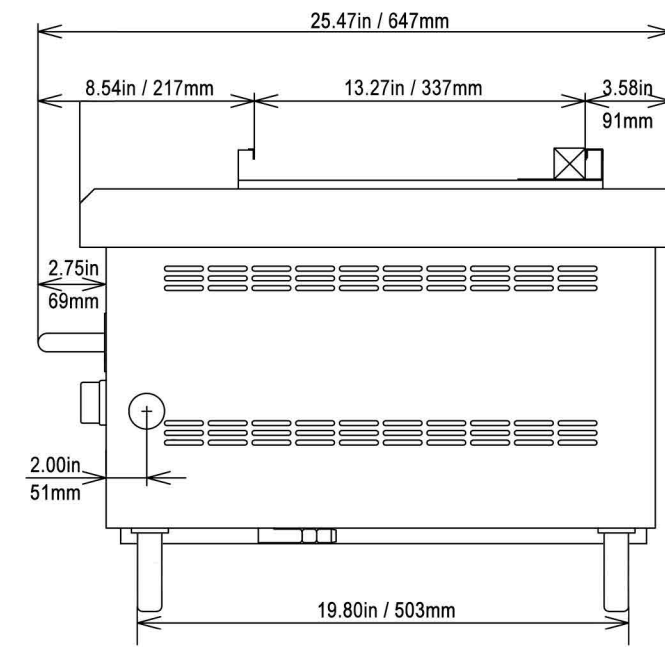
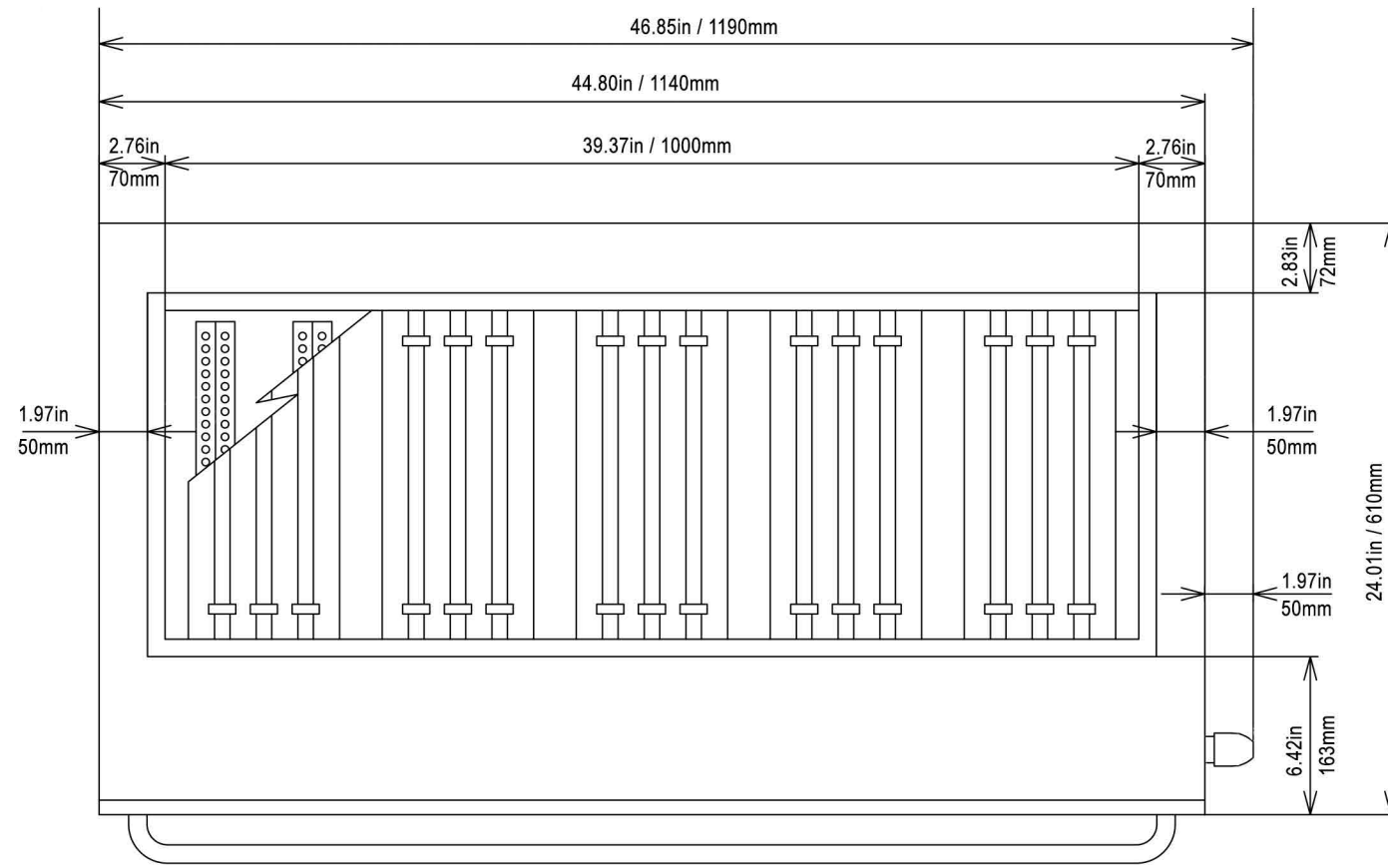


Name of Model	KA-115G		
Dimension	Width	46.85in / 1190mm	
	Length	25.47in / 647mm	
	Height	20.47in / 520mm	
Gas Consumption	Naturalgas	85,000 BTU / 24.9 kW	
	L P G	80,000 BTU / 23.4 kW	
Ignition	Piezo spark ignition		
Gas connection	Naturalgas	3/4" Side Gas Connection	
	L P G	3/4" Side Gas Connection	
Weight	176lbs / 80kg		
Clearance from flammable materials	Around the grill	upper hood	
		side	0.79in / 20mm
		back	0.47in / 15mm
	front		
Structure of a Floor		Structure of non-combustible	



Name of Product :  
**Kosei Charcoal Griller**

Model  
**KA-115Gtype**

